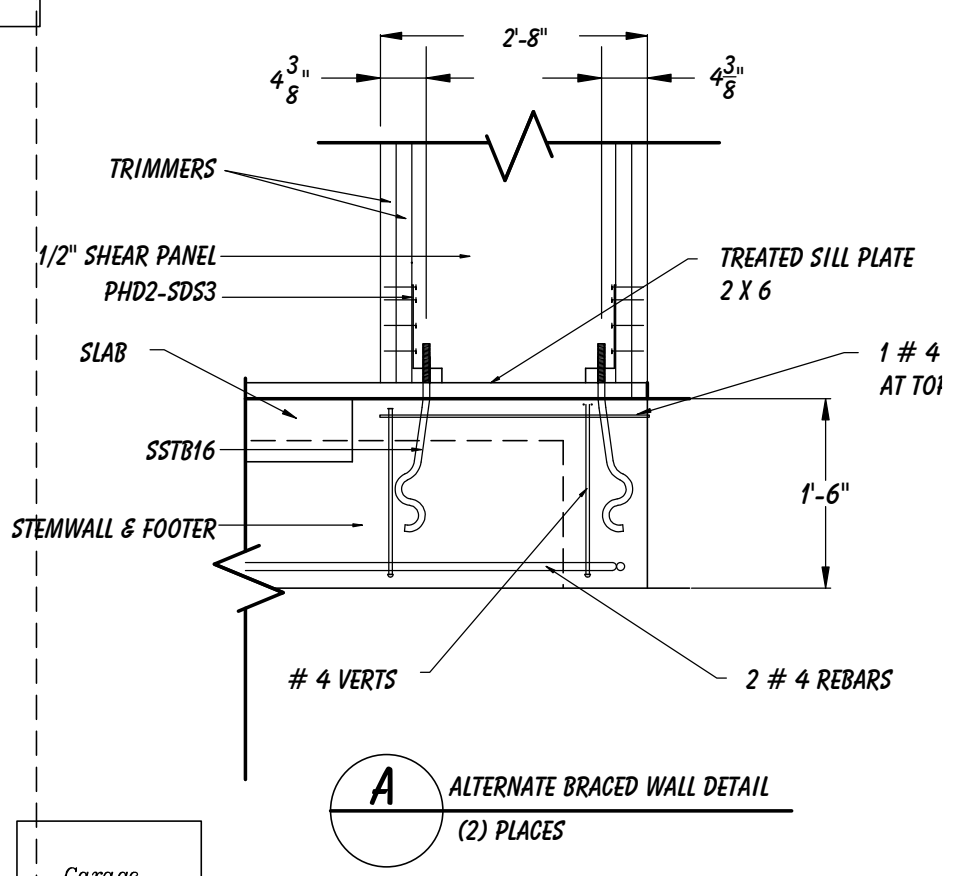
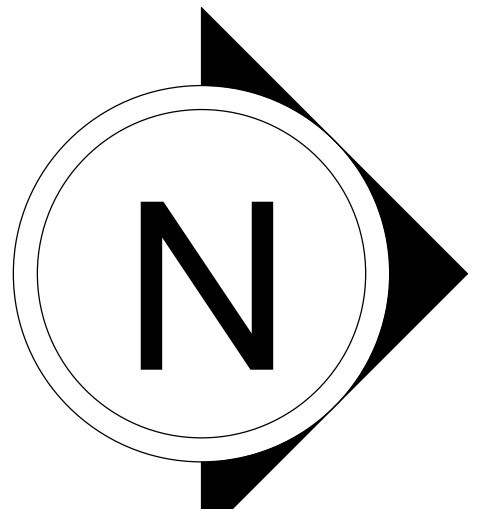
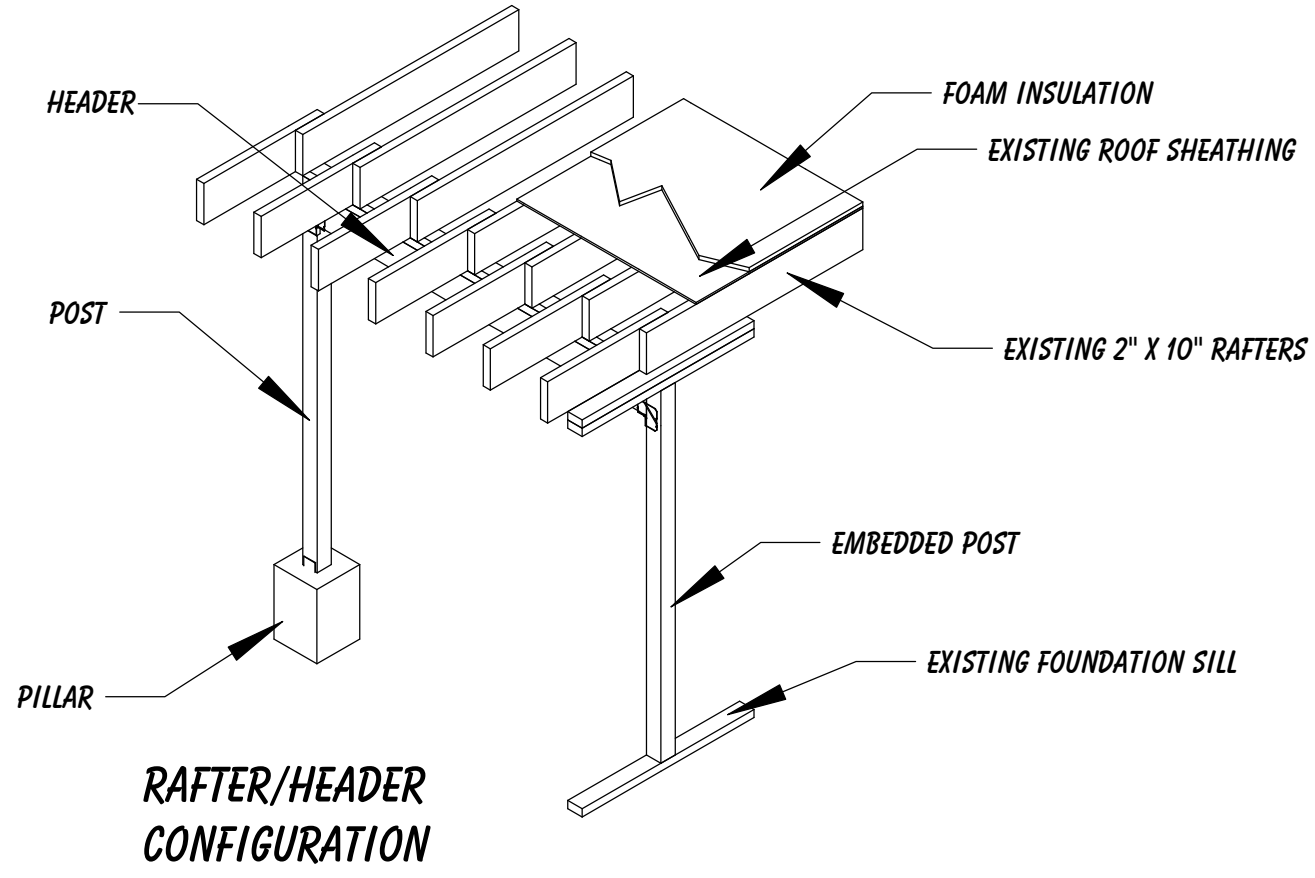
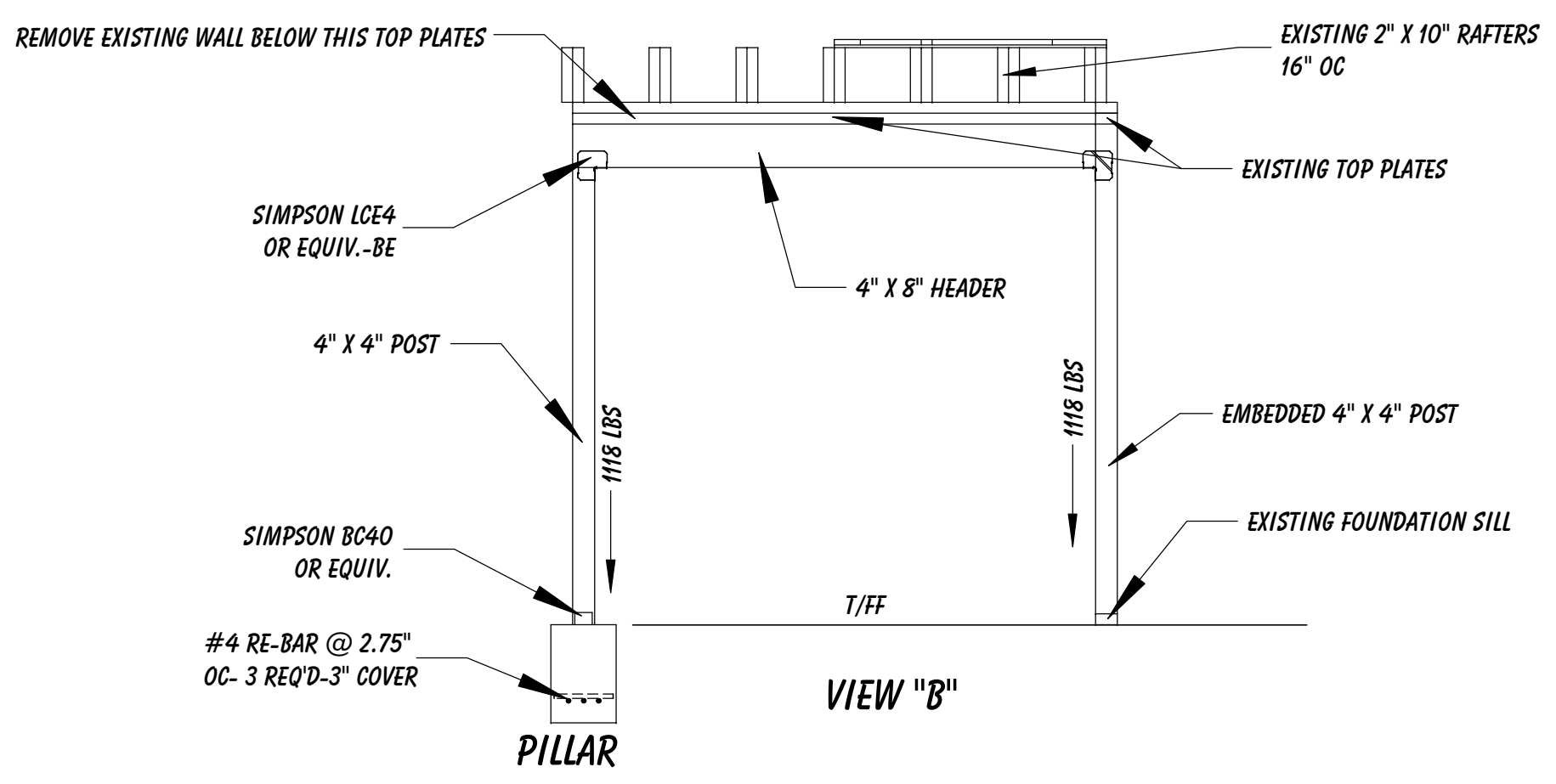


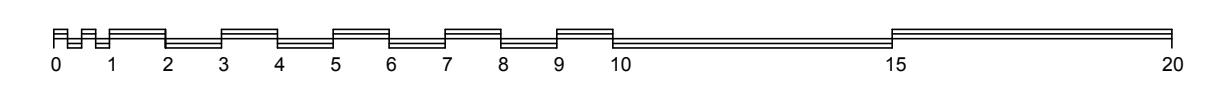
SHEAR WALL SCHEDULE
 1 ALTERNATE BRACED WALL PANEL 2'-8" AND IN WIDTH W / HT16'S ATTACHED W/ 16D COMMON NAILS EVERY HOLE IN STRAP. USE DOUBLE STUDS AT PANEL EDGES. TO BE ATTACHED TO FOUNDATION W/ SSTB16 ANCHOR BOLTS. NAIL 1/2" OSB SHEAR PANEL AT 12" O.C. IN FIELD AND 6" O.C. AT PANEL EDGES W/ 8D COMMON NAILS-SEE DETAIL "A"



NOTE:
 1.-ALL WINDOWS AND DOORS SHOWN AND NOT MARKED NEW ARE TO BE REPLACED WITH NEW WINDOWS USING THE EXISTING ROUGH OPENINGS. SEE THE FENESTRATION LIST ON SHEET 8.
 2.-ALL HARDWARE IS SIMPSON OR EQUIV. INSTALLED PER MANUFACTURER'S INSTRUCTION.



Scale 1/4" = 1' - 0"



SR Job No. 0802
 DRAWN BY:
 Submitted:
 Title 24 Review:
 Palm Springs:

Revisions:

1	
2	
3	
4	
5	

FRAMING & FENESTRATION MODIFICATIONS

DATE: 3/12/08

SHEET

7